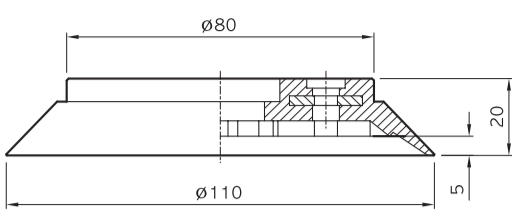
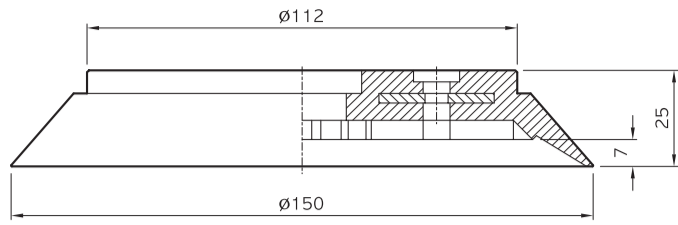


Suction cups MF110, MF150

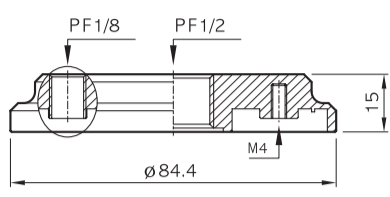
(ONLY RUBBER) MF110



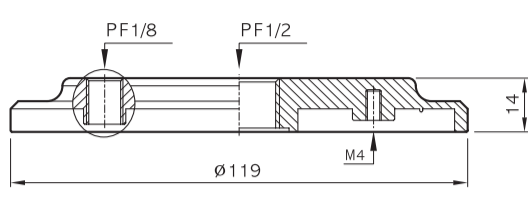
(ONLY RUBBER) MF150



(FITTING)

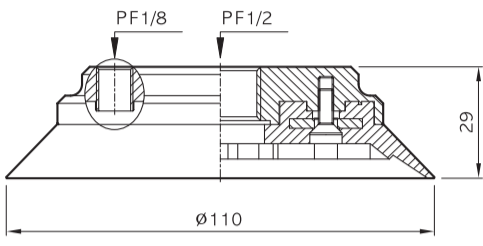


12F-2

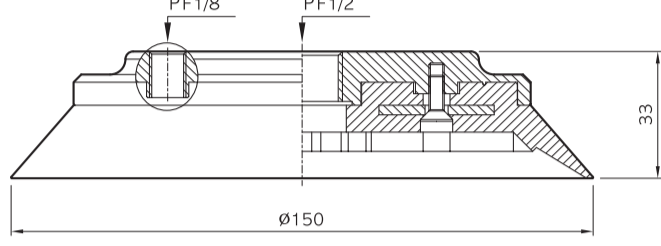


12F-3

(Suction cup with fitting)



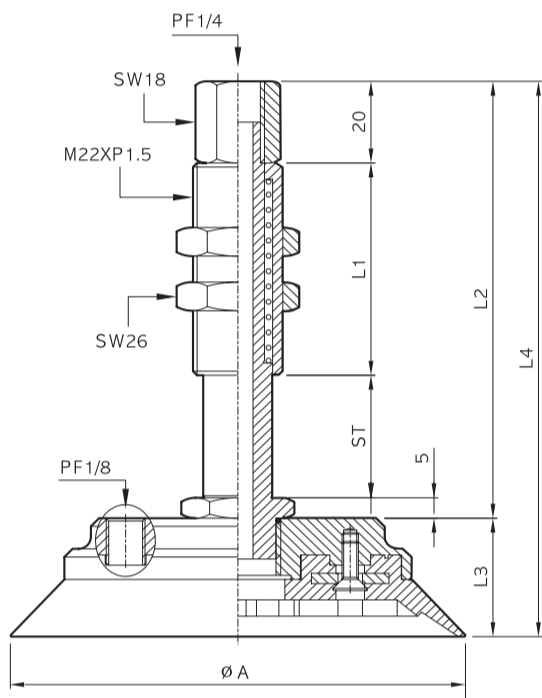
MF110-(N)-12F



MF150-(N)-12F

Suction cups MF110, MF150

(With spring plunger)



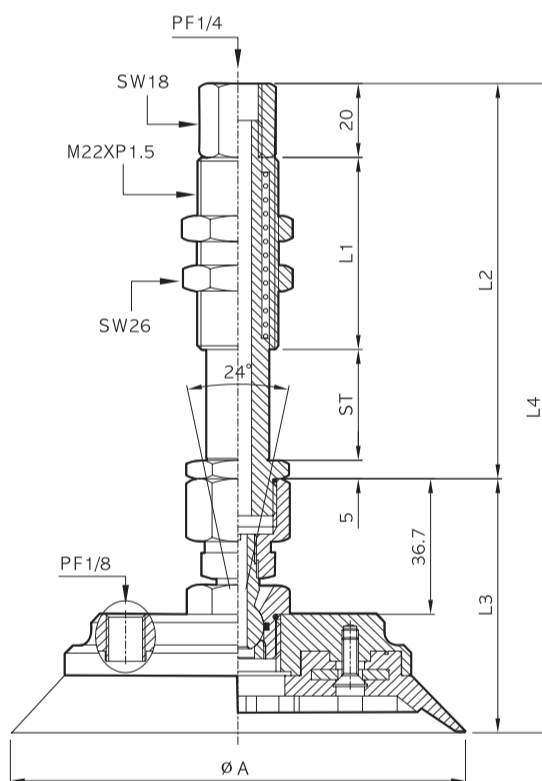
SPRING PLUNGER — SP 1230-V (30 Stroke)

VACUUM PAD	∅A	L1	L2	L3	L4	ST
MF 110	∅110	52	107	29	136	30
MF 150	∅150	52	107	33	140	30

SPRING PLUNGER — SP 1250-V (50 Stroke)

VACUUM PAD	∅A	L1	L2	L3	L4	ST
MF 110	∅110	73	148	29	177	50
MF 150	∅150	73	148	33	181	50

(Spring plunger with Ball joint)



SPRING PLUNGER SP 1230-V (30 Stroke)

VACUUM PAD	∅A	L1	L2	L3	L4	ST
MF 110	∅110	52	107	98.7	205.7	30
MF 150	∅150	52	107	115.7	222.7	30

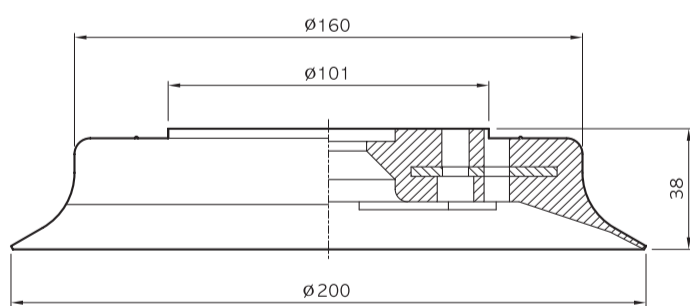
SPRING PLUNGER SP 1250-V (50 Stroke)

VACUUM PAD	∅A	L1	L2	L3	L4	ST
MF 110	∅110	73	148	65.7	213.7	50
MF 150	∅150	73	148	69.7	217.7	50

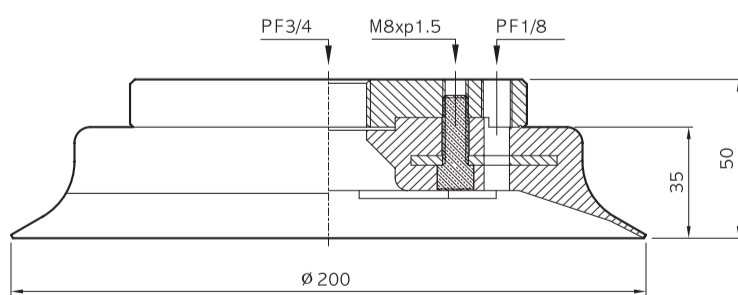
❖ Ball joint Model : MBJ 12

Suction cups MF200

(ONLY RUBBER) MF200



(Suction cup with fitting) MF200-(N)-34F



(Fitting) 34F-1

